

SK 500 G3 Wireless bodypack transmitter

FEATURES

- Sturdy metal housing
- 42 MHz bandwidth: 1680 tunable UHF frequencies for interference-free reception
- Enhanced frequency bank system with up to 32 compatible frequencies
- Pilot tone squelch for eliminating RF interference when transmitter is turned off
- Enhanced AF frequency range
- Increased range for audio sensitivity
- Wireless synchronization of transmitters via infrared interface from receiver
- User-friendly menu operation with more control options
- Illuminated graphic display
- Auto-Lock function avoids accidental changing of settings
- HDX compander for crystal-clear sound
- Transmitter features battery indication in 4 steps, also shown on receiver display
- Programmable Mute function
- Contacts for recharging BA 2015 accupack directly in the transmitter
- Wide range of accessories adapts the system to any requirement
- Optimized PLL synthesizer and micro-processor technology
- True diversity technology
- Increased immunity to intermodulation and interferences in multi-channel operation

More usable systems per range. As the pros have known for years, having the option of lowering a transmitter's RF output power helps immensely when simultaneously operating a large number of wireless systems. This transmitter also features wireless sync to link up to a compatible G3 receiver automatically with a push of a button. The revised backlit display provides a wealth of useful information at a glance, even on the darkest of stages.



TECHNICAL DATA

Modulation	wideband FM
Frequency ranges.....	516–558, 566–608, 626–668, 734–776, 780–822, 823–865 MHz
Transmission frequencies	1,680 frequencies, tuneable in steps of 25 kHz 20 frequency banks, each with up to 32 factory preset channels 6 frequency banks, each with up to 32 user programmable channels
Switching bandwidth.....	42 MHz
Nominal/peak deviation	±24 kHz/±48 kHz
Frequency stability	≤ ±15 ppm
RF output power at 50 Ω, switchable	typ. 10 mW (low) typ. 30 mW (standard)
Pilot tone squelch	can be switched off
Compander system.....	Sennheiser HDX
AF frequency response	microphone: 80–18,000 Hz line: 25–18,000 Hz
Signal-to-noise ratio (1 mV, peak deviation)	≥ 115 dBA
THD.....	≤ 0.9 %
Max. input voltage	
microphone/line.....	3 Vrms
Input impedance microphone/line	40 kΩ, unbalanced/1 MΩ
Adjustment range of input sensitivity	60 dB, adjustable in 3-dB steps
Temperature range.....	–10 °C to +55 °C
Power supply.....	2 AA size batteries, 1.5 V or BA 2015 accupack
Nominal voltage.....	2.4 V

Continued on page 2

SK 500 G3 Wireless bodypack transmitter

TECHNICAL DATA

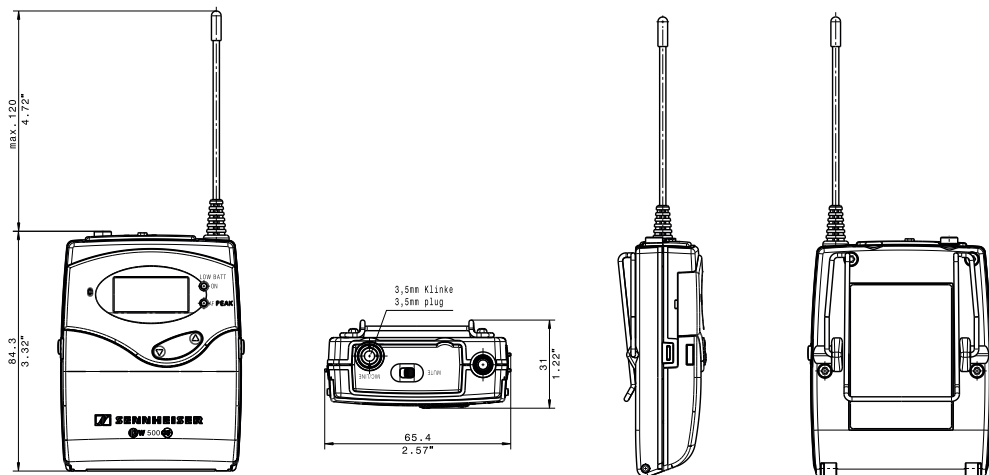
Current consumption:
 at nominal voltagetyp. 180 mA (30 mW)
 with switched-off transmitter $\leq 25 \mu\text{A}$
 Operating timetyp. 8 hrs
 Dimensionsapprox. 82 mm x 64 mm x 24 mm
 Weight (incl. batteries)approx. 160 g
 Connections3.5 mm jack socket

DELIVERY INCLUDES
 1 SK 500 G3 bodypack transmitter
 2 AA size batteries, 1.5 V
 1 Instruction manual
 1 Frequency information sheet
 1 RF licensing information sheet
 1 BPP 1 bodypack pouch

ARCHITECT'S SPECIFICATIONS

The compact bodypack transmitter shall be for use with a companion receiver as part of a wireless RF transmission system. The transmitter shall operate within six UHF frequency ranges, each with a 42 MHz switching bandwidth: 516–558 MHz, 566–608 MHz, 626–668 MHz, 734–776 MHz, 780–822 MHz, 823–865 MHz; transmission frequencies shall be 1,680 per range and shall be tunable in 25 kHz steps. The transmitter shall feature 20 fixed frequency banks with up to 32 compatible frequency presets and 6 user banks with up to 32 user programmable frequencies. Nominal/peak deviation shall be $\pm 24 \text{ kHz}/\pm 48 \text{ kHz}$. Frequency stability shall be $\leq \pm 15 \text{ ppm}$. RF output power at 50Ω shall be switchable between 10 mW (low) and 30 mW (standard). The transmitter shall incorporate the Sennheiser HDX compander system and a defeatable pilot tone squelch. The microphone/line input shall utilize a lockable 3.5 mm jack socket. The audio frequency response shall range from 80–18,000 Hz (microphone) or 25–18,000 Hz (line). Maximum input voltage shall be 3 Vrms (microphone/line). Input impedance shall be 40 k Ω unbalanced (microphone) or 1 M Ω (line). The input sensitivity shall be adjustable within a 60 dB range in steps of 3 dB. Signal-to-noise ratio at 1 mV and peak deviation shall be $\geq 115 \text{ dBA}$. Total harmonic distortion (THD) shall be $\leq 0.9 \%$. The transmitter shall be menu-driven with a backlit LC display showing the current frequency, frequency bank and channel number, metering of AF level, transmission status, lock status, pilot tone transmission, muting function, and battery status. An auto-lock feature shall be provided to prevent settings from being accidentally altered. The transmitter parameters shall either be configurable in the associated receiver's menu and synchronized with the transmitter via an integrated infrared interface or shall be programmable in the transmitter menu. Power shall be supplied to the transmitter by two 1.5 V AA size batteries or by one Sennheiser BA 2015 rechargeable accupack. Nominal voltage shall be 2.4 V, current consumption shall be typical 180 mA (30 mW) at nominal voltage; $\leq 25 \mu\text{A}$ when transmitter is switched off. Operating time shall be typical 8 hours. The transmitter shall have a rugged metal housing; dimensions shall be approximately 82 x 64 x 24 mm (3.23" x 2.52" x 0.94"). Weight including the batteries shall be 160 grams (5.46 oz). Operating temperature shall range from $-10 \text{ }^\circ\text{C}$ to $+55 \text{ }^\circ\text{C}$ ($+14 \text{ }^\circ\text{F}$ to $+131 \text{ }^\circ\text{F}$). The transmitter shall be the Sennheiser SK 500 G3.

DIMENSIONS



SK 500 G3 Wireless bodypack transmitter

PRODUCT VARIANTS

SK 500 G3-A – Frequency range 516...558 MHz	Cat. No. 503139
SK 500 G3-G – Frequency range 566...608 MHz	Cat. No. 503673
SK 500 G3-B – Frequency range 626...668 MHz	Cat. No. 503674
SK 500 G3-C – Frequency range 734...776 MHz	Cat. No. 503675
SK 500 G3-D – Frequency range 780...822 MHz	Cat. No. 503676
SK 500 G3-D-X – Frequency range 780...822 MHz / Germany	Cat. No. 503677
SK 500 G3-E – Frequency range 823...865 MHz	Cat. No. 503678
SK 500 G3-E-X – Frequency range 823...865 MHz / Germany	Cat. No. 503679
SK 500 G3-K-X - Frequency range 925...932 MHz / Korea	Cat. No. 505536

RECOMMENDED ACCESSORIES

BA 2015 – Accupack	Cat. No. 009950
L 1039-10 – Charger	Cat. No. 505632
L 2015 – Charger	Cat. No. 009828
CC 3 – System case	Cat. No. 503168
BPP 1 – Bodypack pouch	Cat. No. 009825
DC 2 – Power adapter (12 V DC)	Cat. No. 009827
1-EW – Earworn microphone, black, 3.5 mm jack plug	Cat. No. 504232
1-EW-3 – Earworn microphone, beige, 3.5 mm jack plug	Cat. No. 504233
4-EW – Earworn microphone, black, 3.5 mm jack plug	Cat. No. 504236
4-EW-3 – Earworn microphone, beige, 3.5 mm jack plug	Cat. No. 504237
MKE 1-EW – Clip-on microphone, black, 3.5 mm jack plug	Cat. No. 502876
MKE 1-EW-1 – Clip-on microphone, white, 3.5 mm jack plug	Cat. No. 502877
MKE 1-EW-2 – Clip-on microphone, brown, 3.5 mm jack plug	Cat. No. 502878

MKE 1-EW-3 – Clip-on microphone, beige, 3.5 mm jack plug	Cat. No. 502879
MKE 2-EW Gold – Clip-on microphone, black, 3.5 mm jack plug	Cat. No. 09831
MKE 2-EW-3 Gold – Clip-on microphone, beige, 3.5 mm jack plug	Cat. No. 09832
MKE 40-EW – Clip-on microphone, black, 3.5 mm jack plug	Cat. No. 500527
HSP 4-EW – Headmicrophone, black, thin connection cable, 3.5 mm jack plug	Cat. No. 09867
HSP 4-EW-M – Headmicrophone, black, thin connection cable, 3.5 mm jack plug, shorter microphone boom and smaller neckband	Cat. No. 500699
HSP 4-EW-3 – Headmicrophone, beige, thin connection cable, 3.5 mm jack plug	Cat. No. 09873
HSP 4-EW-3-M – Headmicrophone, beige, thin connection cable, 3.5 mm jack plug, shorter microphone boom and smaller neckband	Cat. No. 500698
HSP 2-EW – Headmicrophone, black, thin connection cable, 3.5 mm jack plug	Cat. No. 09866
HSP 2-EW-M – Headmicrophone, black, thin connection cable, 3.5 mm jack plug, shorter microphone boom and smaller neckband	Cat. No. 500693
HSP 2-EW-3 – Headmicrophone, beige, thin connection cable, 3.5 mm jack plug	Cat. No. 09872
HSP 2-EW-3-M – Headmicrophone, beige, thin connection cable, shorter microphone boom and smaller neckband	Cat. No. 500692
CC 3 – Carrying case for evolution wireless G3 1/3/500 Series	Cat. No. 503168