

VARI*LITE

VL2600 PROFILE



The VL2600 Profile is designed with top-class performance and cost-effective ownership in mind. It produces 19,000 lumens of high color temperature, high contrast light output from its state-of-the-art 550W light engine, with a class-leading zoom range of 7-48°.

Expanding on the color range of the VL2500, it offers a broader choice of saturated colors whilst maintaining the familiar Vari-Lite color palette from the CMY color system with variable CTO adjustment. Effects features include Iris, two gobo wheels, one fixed color wheel, prism and variable frost. Compact, lightweight, fast and accurate, the VL2600 Profile is engineered to be easy to use, prep and maintain.

The VL2600 Profile is one of three luminaires designed as the LED generation update for the popular VL2500 Series. A full system lighting solution with dedicated Spot, Wash and Profile fixtures, the VL2600 range combines Vari-Lite quality and performance with the latest LED technology, all engineered to deliver the best possible package to the mid-sized show lighting segment.



VL2600 PROFILE

FEATURES AND BENEFITS

- Lower power consumption - approx. 820W (550W LED engine)
- High output - 19,000 lumens
- High color temperature - 7200 CCT
- Good color rendering: - CRI 81 - TM30 Rf/80 Rg/94
- Flat, even beam
- High contrast ratio
- Wide zoom range - 7° to <48°
- Color mixing - CMY + variable CTO
- Beam shaping - Four blade framing system
- Beam reduction - Iris
- Compact design - 464 x 300 x 715mm. Weight 32kg
- Fast and accurate movement (FP=3s, FT=2s)
- Projected Image:
 - 1 Rotating gobo wheel (7 + open, glass gobos)
 - 1 Fixed gobo wheel (8 + open, glass gobos)
- Spilt-beam effects - 1 x 3-facet prism
- Beam diffusion - variable frost

VL2600 PROFILE

SOURCE

Type	LED
Wattage	550W

OPTICAL PERFORMANCE

Lumen output (max.)	19,000	
Source color temperature	8000K	
Output color temperature	7200K	
CRI / Ra	82	
TM30	Rf/80 Rg/9	
Lux 7° beam @ 5m / 16.41ft	49,075	4,559 Fc
Lux 48° beam @ 5m / 16.41ft	1290	120 Fc
Lux 7° beam @ 10m / 32.8ft	12,300	1143 Fc
Lux 48° beam @ 5m / 32.8ft	326	31 FC
Dimmer / strobe	Electronic 16-bit	

BEAM

Beam angle	19,000
-------------------	--------

IMAGING

Gobo wheel 1	Glass interchangeable rotation 7 + open
Gobo wheel 2	Glass interchangeable fixed 8 + open
Prism	3 facet
Frost	Medium
Shutter / framing	4 blades +/-90° rotation
Iris	Yes

COLOR

Color system	CMY, Variable CTO 1 x fixed color wheels 7 + open
---------------------	--

MOVEMENT

Pan	540°
Tilt	270°
Pan / Tilt speed	3.4s / 2.5s

COOLING

Fan	Yes
Studio mode	Yes
Variable speed fan control by DMX	Yes



VL2600 PROFILE

NOISE LEVELS BASE LEVEL 30DB

1m / 3.3ft Full operation	48.5 Standard mode full output db
1m / 3.3ft Idle	45.5 Standard mode full output db
Modes	Standard / Studio

POWER

Operating voltage	100-240VAC 50/60Hz
--------------------------	--------------------

DATA CONNECTIONS

DMX (RDM)	5-pin XLR In and Thru
RJ45 data point	In

DATA PROTOCOLS

DMX (RDM)	Mode 1 - 46 channels (default mode) Mode 2 - 41 channels
ArtNET	Yes

PHYSICALS

IP rating	IP20
Finish	Black
Construction	Metal frame, plastic covers

ENVIRONMENT

	°C	°F
Operating temperature	-10-45°	4-113°
Operating humidity	33-45°	91-122°

DIMENSIONS

	mm	in
H x W x L	464 x 300 x 715	18 x 12 x 28
Hanging centers	500	20

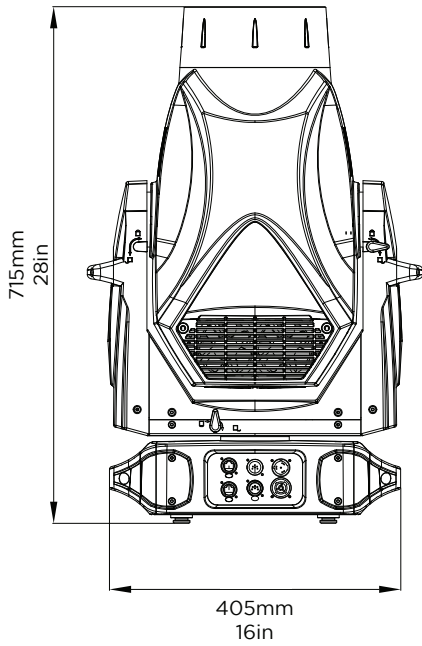
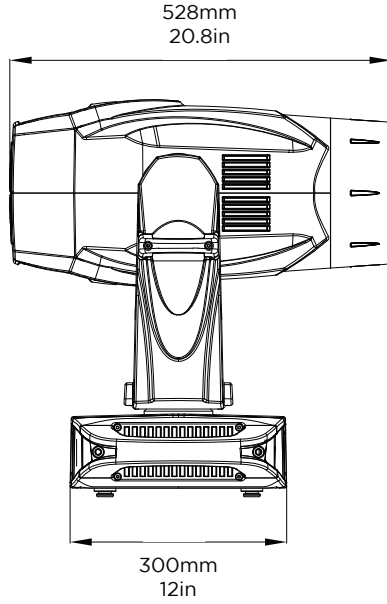
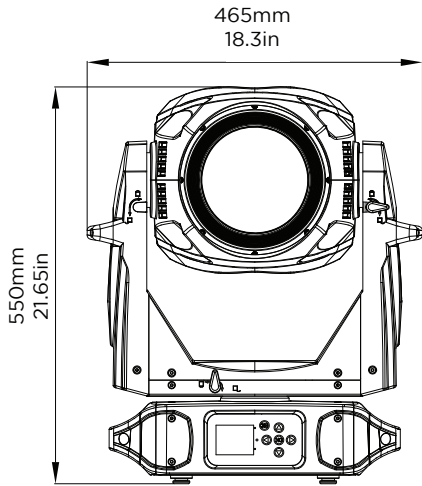
WEIGHT

	kg	lb
Fixture only	32	70.5

WARRANTY & APPROBATIONS

Warranty	2 years
Approval / listings	CE, ETL, UL, FCC CSA, RoHS, ISO 9001

VL2600 PROFILE



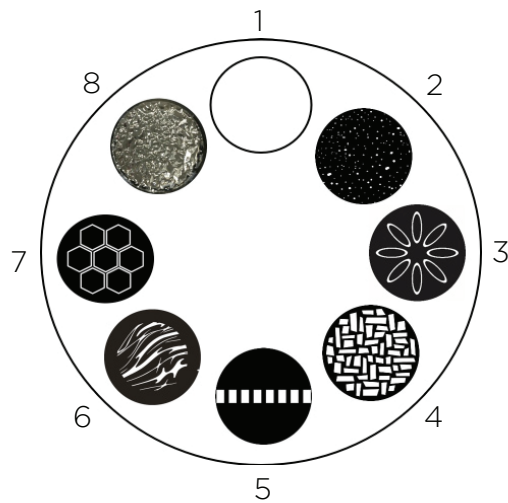
VL2600 PROFILE

PRODUCT NAME	ORDER CODE
Vari-Lite VL2600 Profile fixture c/w 2x hanging rails and TrueOne powerCON input connector	88-105-7270-00
Luminaire programming kit	PEGASUS

WHEEL 1

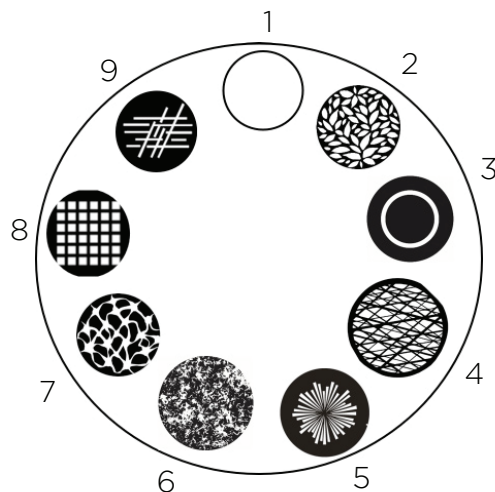
1	Open slot
2	Night sky
3	Circle of ovals
4	Bricked out
5	Punch card
6	Swirl
7	Honeycomb reverse
8	On the rocks*

*glass gag



WHEEL 2

1	Open slot
2	Leafy breakup
3	Medium circle
4	Lattice
5	Radial breakup
6	Dust breakup
7	Neurons
8	Grid
9	Cross bars



©2019 Signify Holding. All rights reserved.

All trademarks are owned by Signify Holding or their respective owners. The information provided herein is subject to change, without notice. Signify does not give any representation or warranty as to the accuracy or completeness of the information included herein and shall not be liable for any action in reliance thereon. The information presented in this document is not intended as any commercial offer and does not form part of any quotation or contract, unless otherwise agreed by Signify. Data subject to change.

Ref: 88-105-7270-00-100-v00